

5

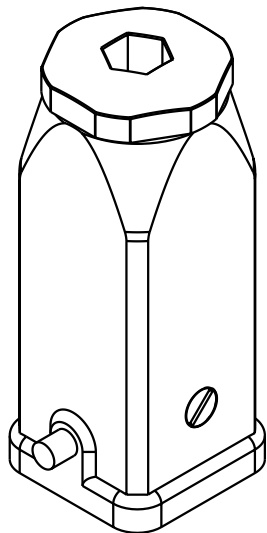
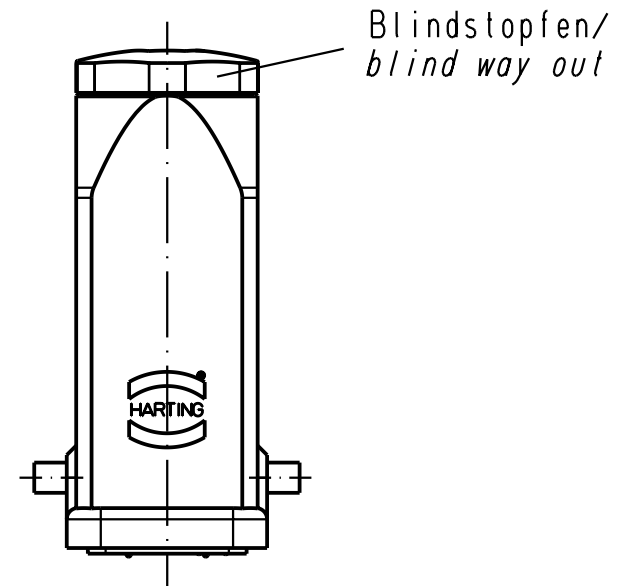
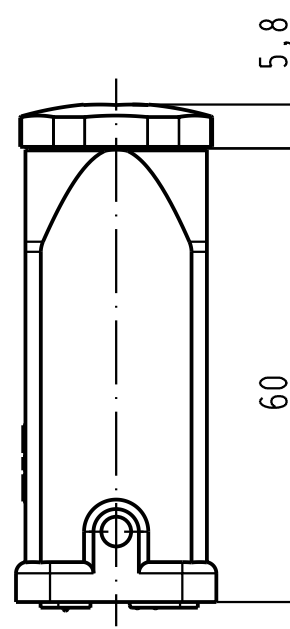
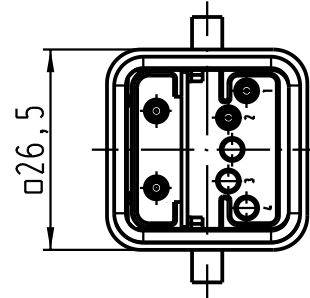
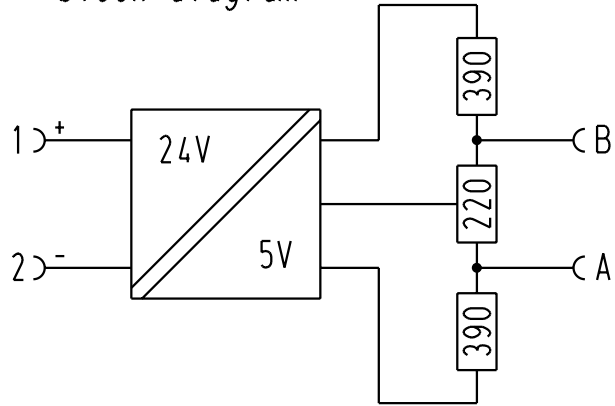
4

3

2

1

Blockschaltbild/
block diagram



| | | | | | | |
|---|------|---|----------|------|--|--|
| All Dimensions in mm Original Size DIN A 4 | | Techn. Character. | | | Nicht tolerierte Masse/ Free size tolerances | |
| | | | Dat. | Name | Massestab/Scale 1:1 | Han Brid-M-c Abschluss grau / bus terminator grey |
| | | Detail. | 27.10.03 | Ho | | |
| | | Insp. | | KR | | |
| | | Stand. | | | | |
| 410741 | | HARTING Electric GmbH & Co. KG D-32339 Espelkamp | | | | TB 09 12 006 2692 |
| Mod. | Dat. | Name | | | | |
| | | | | | Sub. | |