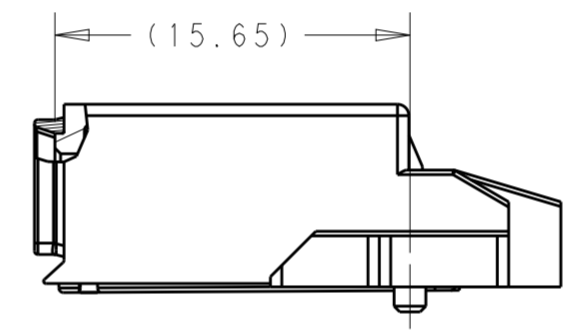
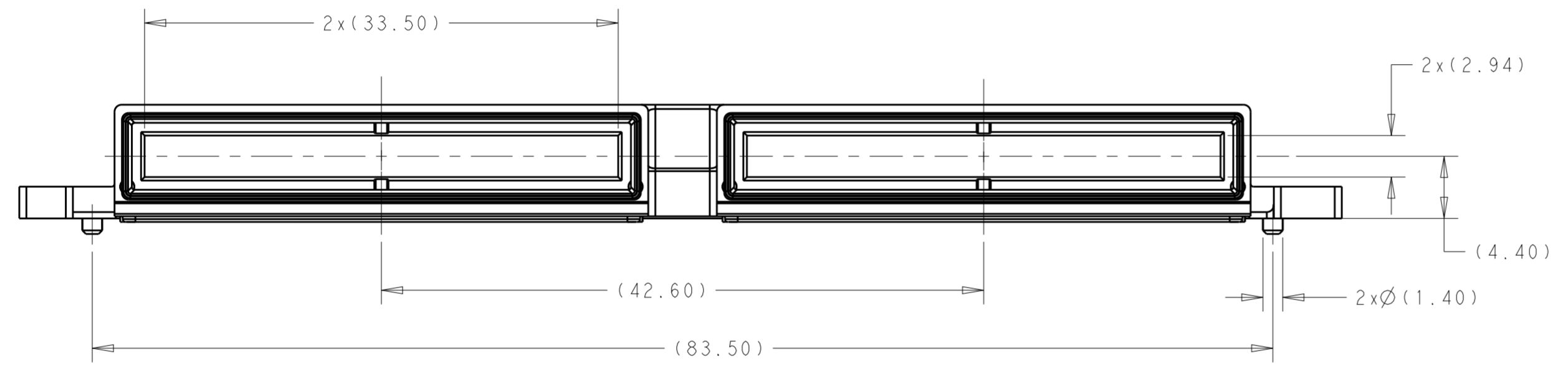
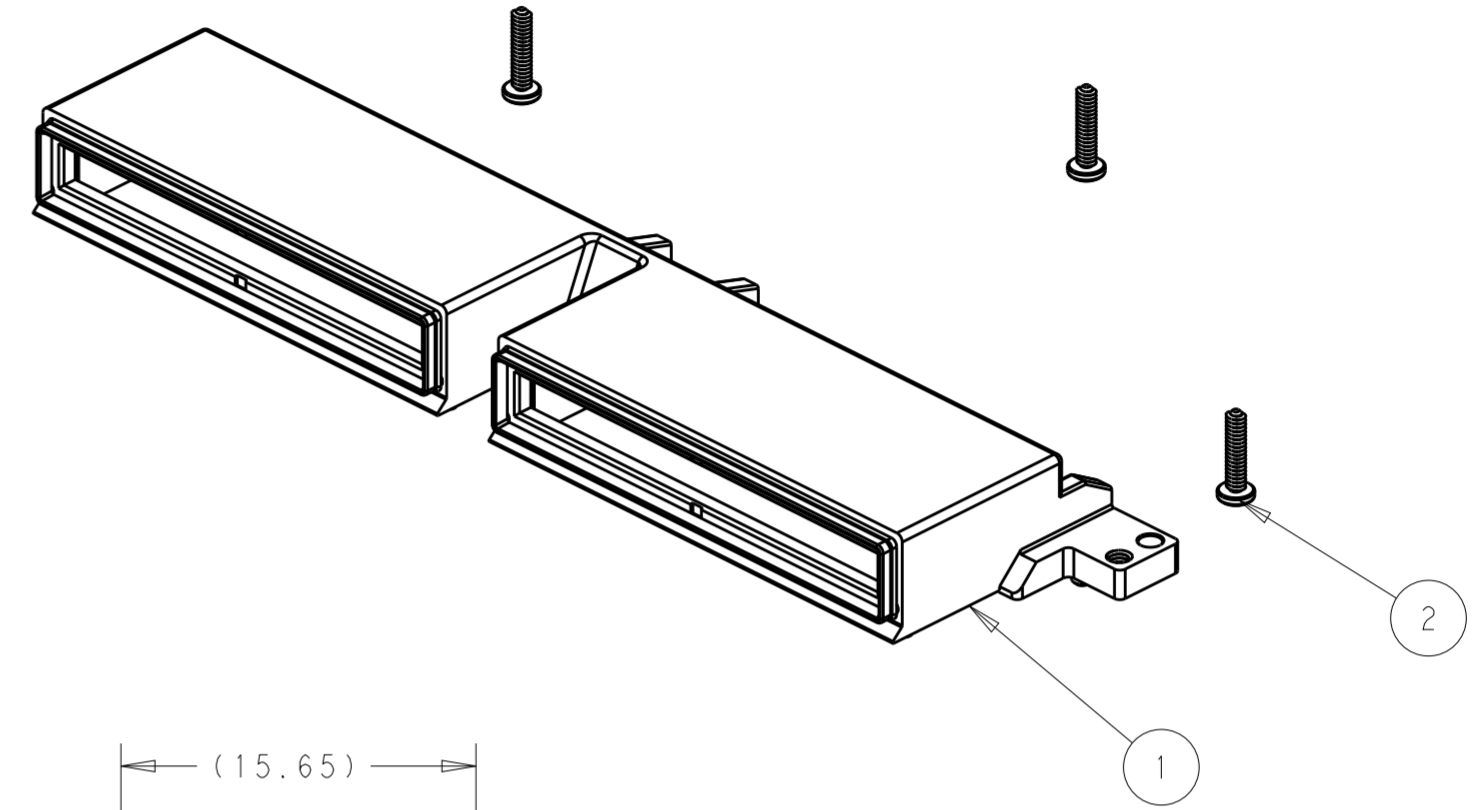
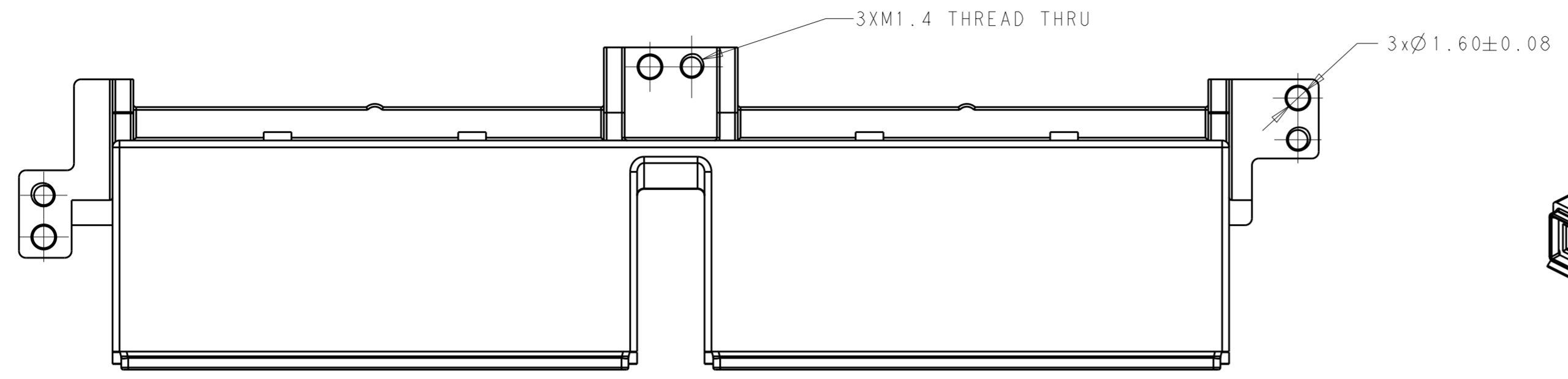
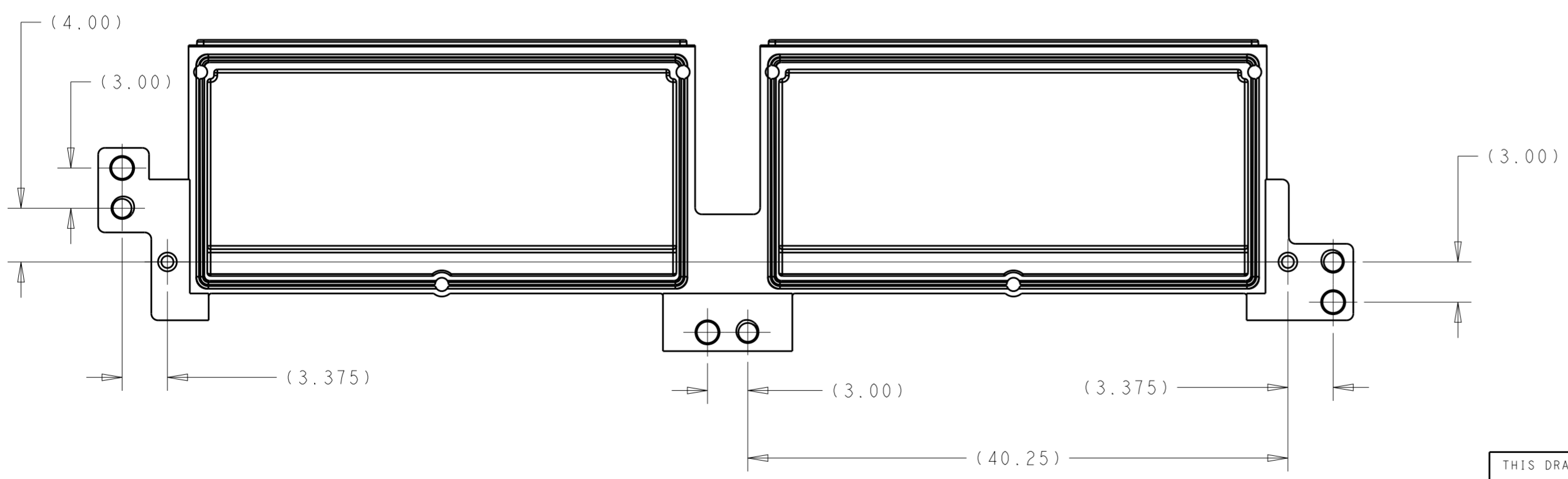


THIS DRAWING IS UNPUBLISHED. RELEASED FOR PUBLICATION 20
 © COPYRIGHT 20 BY - ALL RIGHTS RESERVED.

REVISIONS				
P	LTR	DESCRIPTION	DATE	APVD
A		INITIAL RELEASE	10JUL2018	AD SH



- 1. MATERIAL: RECEPTACLE COVER- ZNIC ALLOY
GASKET: SILICON
SCREW: STAINLESS STEEL
- 2. PLATING: RECEPTACLE COVER-1.27um NICKEL OVER COPPER PLATED
- 3. PACKAGED AS SEPARATED KITS IN ONE BOX
- 4. MATE WITH MSA COMPLIANT TRANSCEIVER



3	2292789-1	M1.4X6 SCREW	2
1	2287077-1	RECEPTACLE COVER	1
-1	PART NUMBER	DESCRIPTION	ITEM

THIS DRAWING IS A CONTROLLED DOCUMENT.		DWN ANDY.CIF 01JUN2016	TE Connectivity	
DIMENSIONS:		CHK SEAN.HAN 01JUN2016		
TOLERANCES UNLESS OTHERWISE SPECIFIED:		APVD SEAN.HAN 01JUN2016	NAME RECEPTACLE COVER WITH SCREW CFP2 1X2	
mm		PRODUCT SPEC	SIZE A2	
0 PLC ± 1 PLC ±0.25 2 PLC ±0.15 3 PLC ±0.10 4 PLC ± ANGLES ± FINISH ±		APPLICATION SPEC	CAGE CODE -	
MATERIAL		WEIGHT	DRAWING NO G-2304454	
-		CUSTOMER DRAWING	RESTRICTED TO -	
-		SCALE 1:1	SHEET 1 OF 1 REV A	